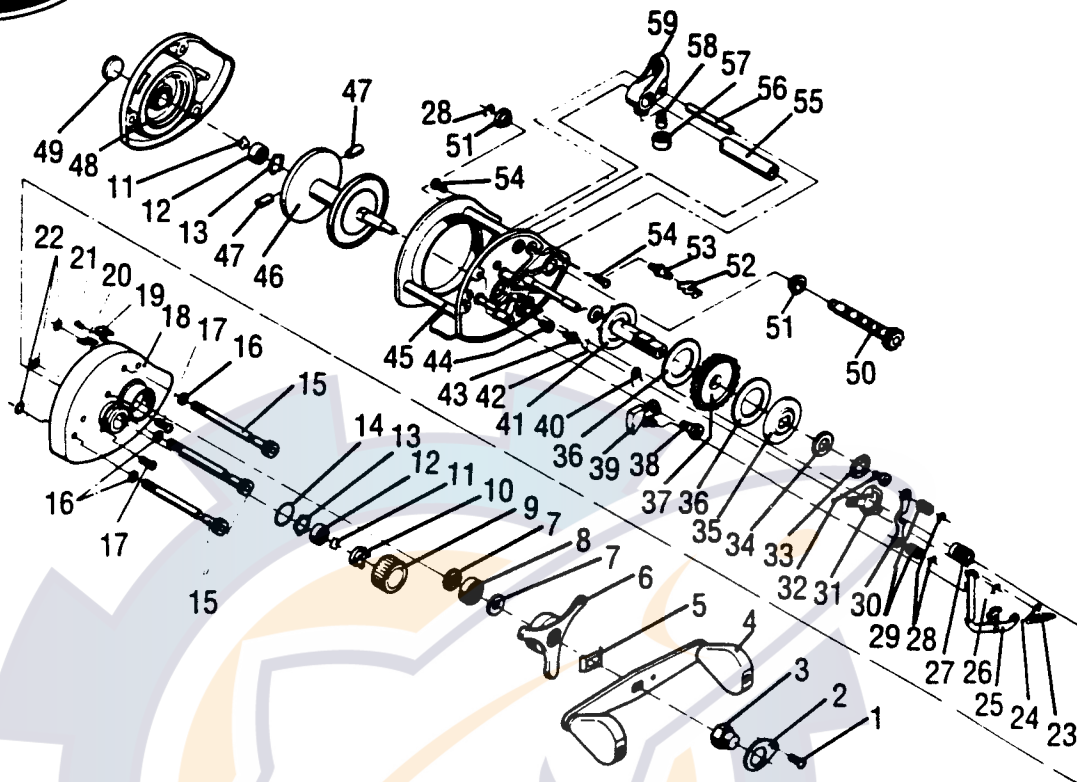




BB2N



Key No.	Part No.	Description	Price	Key No.	Part No.	Description	Price
1	P306000	Handle Locking Plate Screw	.30	32	P306089	Drive Shaft Retaining Screw	.5
2	P306002	Handle Locking Plate	2.65	33	P306092	Drag Spring Washer	.5
3	P306005	Handle Retaining Nut	1.40	34	P306094	Drag Pressure Plate Washer	.3
4	P306008	Handle	6.45	35	P306097	Drag Pressure Plate	1.1
5	P306013	Tri Star Drag Tension Plate	.30	36	P306102	Fiber Drag Washer	1.1
6	P306015	Tri Star Drag Control	6.45	37	P306106	Main Gear	8.3
7	P306021	Shouldered Handle Bearing Spacer	.30	38	P306112	Spool Release Button Screw	1.0
8	P306025	Handle Ball Bearing	11.25	39	P306114	Spool Release Button	2.8
9	P306026	Cast Control Cap	2.20	40	P306119	Spool Release Button Spring	.5
10	P306030	Cast Control Tension Assembly	1.30	41	P306126	Ratchet Gear Assembly	12.7
11	P306035	Friction Shim	.30	42	P306129	Drive Shaft Assembly Washer	.5
12	P306036	Spool Ball Bearing	12.00	43	P306130	Kick Lever Screw	1.7
13	P306038	Bearing Retaining Spring	.30	44	P306131	Stopper Pin	.5
14	P306039	Cast Control O-Ring	.55	45	P306135	Main Body Assembly	69.7
15	P306042	Side Plate Finger Screws	6.80	46	S630005	U Spool Standard	41.6
16	P306046	Washer	.30	47	P306152	Brake Block	.4
17	P306047	Side Plate Retaining Screw	.30	48	P306165	Left Side Plate	18.2
18	P306052	Right Side Plate	18.25	49	P306209	Emblem	2.9
19	P306063	Anti Reverse Button	.55	50	P306177	Level Wind Gear	7.5
20	P306064	Anti Reverse Spring	.30	51	P306181	Oilless Bushing	.4
21	P306065	Anti Reverse Pin	.55	52	P306185	Anti Reverse Claw	1.1
22	P306068	O-Ring	.30	53	P306188	Anti Reverse Claw Screw	.4
23	P306069	Slider Spring	.30	54	P306190	Stabilizer Bar Screw	.3
24	P306070	Retaining Ring	.30	55	P306193	Level Wind Gear Guard	3.1
25	P306071	Slider Assembly	3.20	56	P306197	Level Wind Stabilizer Bar	2.1
26	P306073	Slider Assembly Retaining Clip	.30	57	P306200	Line Guide Block Cap	1.1
27	P306076	Pinion Gear	5.80	58	P306202	Pawl (Steel)	3.4
28	P306079	Retaining Clip	.30	58	P306203	Pawl (Zirconia)	6.1
29	P306080	Clutch Spring	.30	59	P306204	Line Guide Block	4.1
30	P306083	Clutch Lever	.85	64	S630001	U Spool Standard	45.1
31	P306085	Clutch Cam	1.10				

Prices subject to change without notice. Prices do not include postage and handling.

PLEASE ORDER BY PART NUMBER

Rev. 6/95

Zebco Division Brunswick Corporation, Box 270, Tulsa, OK 74101 USA 918-836-5581

